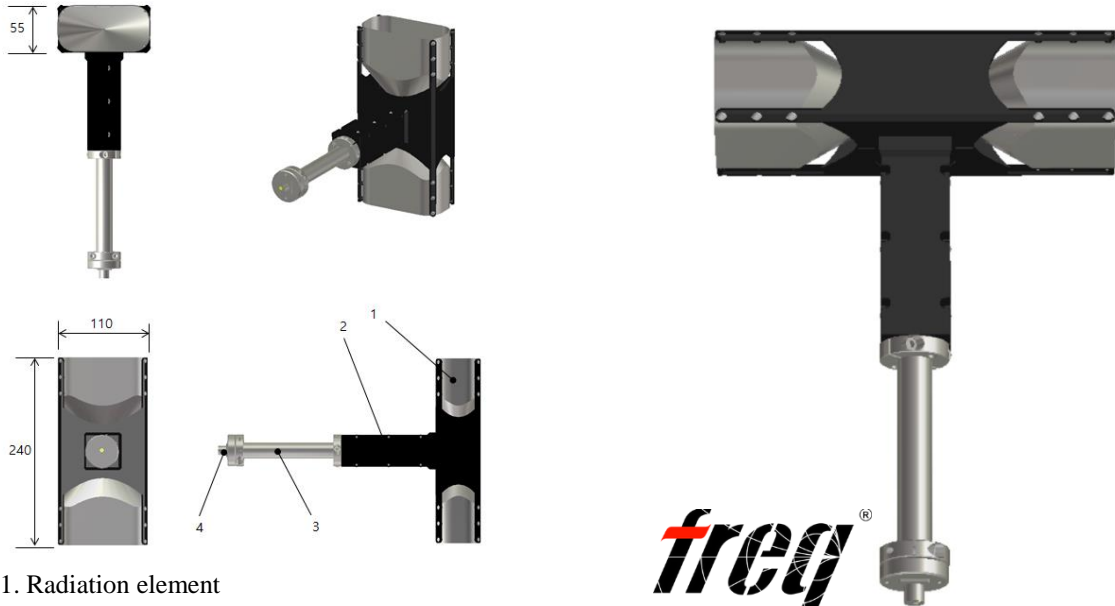


The UBBD-0372 is a conical dipole antenna compliant with ISO 11452-9 and consists of an antenna including a balun for evaluating the interference of automotive electronic components.



1. Radiation element
2. Broadband low loss balun 1:1
3. Ø20 mm tube for handling or fixture
4. N-female connector

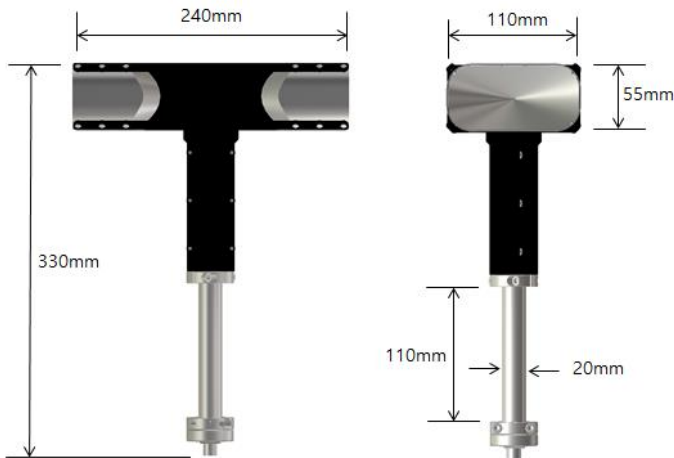
UBBD-0372

■ Electrical/Physical Characteristics

Category	Item	Specification	Unit	Conditions	
Conical Dipole	Electrical	Frequency	360 ~ 7200	MHz typ.	
		Bandwidth	≒180	%	
		Impedance	50	Ω	
		Input Power	30	W	@Max.
		Polarization	Linear		
	Physical	VSWR	≤ 2.0		@ center
			≤ 3.0		
		Dimension	240 X 110 X 330	mm	
		Tube for Handle	20	mm	@Diameter
		Weight	900	g	
Port	N Female	type			

This device can be used to penetrate and evaluate the outer perimeter of automotive electrical components, ranging from 360 MHz to 7200 MHz, using a single antenna section. The antenna array is powered by a 1:1 balun. The device consists of an antenna with a balun.

■ Dimension



■ Typical Passive Performance Curves (VSWR)

